

Modular International Inc.

Spots+Strips LED Series

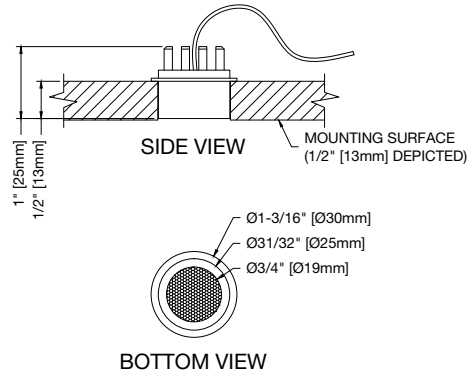
Designed for use in cabinetry and millwork



Modular International Inc.

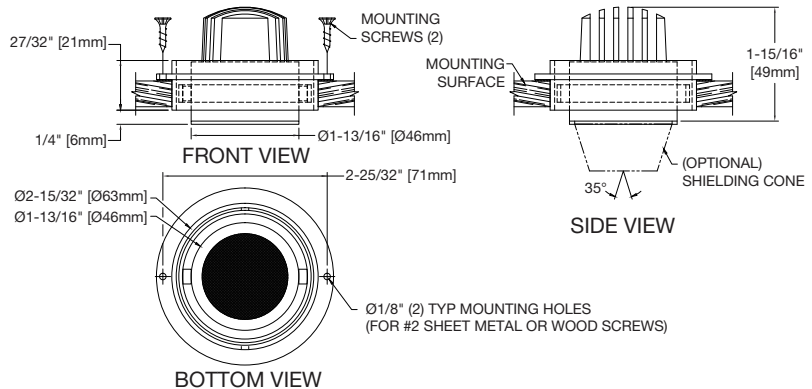
Spots+Strips LED Series Designed for use in cabinetry and millwork

Fixed Recessed LED Downlight – Trimless



Model number(s):	MGB-TW-40-91-X-HFA1, MGB-TW-40-91-X-HFA2
Wattage:	1.1w
Kelvin temperature:	2700° K or 3000° K (+/- 2%) Contact factory for lumen output data
Standard CRI:	90
Driving voltage:	24vDC constant voltage (dimnable)
Standard finish:	Black
Cut out size:	1" (25.5mm) Ø
Installation:	Mounts from above, requires remote power supply, designed for mounting material thickness of 1/2" (13mm)

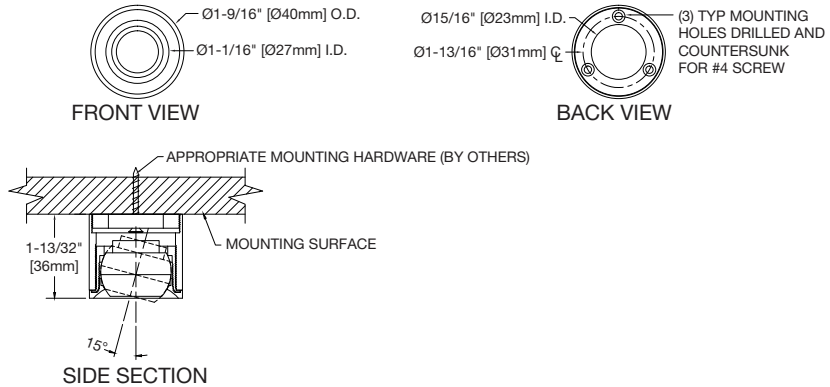
Adjustable Recessed LED Downlight – Trimless



Model number(s):	1.6w - MBG-TW-41-91-r5b-HIAL-SV, 2.8w - MBG-TW-41-91-r5b-HIAL-JV w/ shielding cone: 1.6w - MBG-TW-41-91-r5b-HIEL-SV, 2.8w - MBG-TW-41-91-r5b-HIEL-JV
Wattage:	1.6w or 2.8w
Kelvin temperature:	2700° K Contact factory for lumen output data
Standard CRI:	93
Driving voltage:	24vDC constant voltage (dimnable)
Standard finish:	Satin Nickel
Cut out size:	2-1/2" (63.5mm) Ø
Installation:	Mounts from above, requires remote power supply, designed for mounting material thickness of 1/2" (13mm)

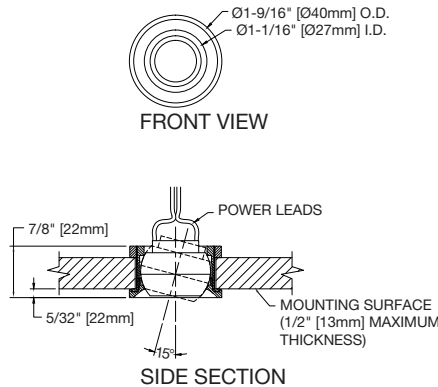
Spots+Strips LED Series Designed for use in cabinetry and millwork

Adjustable Surface Mounted LED Downlight



Model number(s):	MILDAS-1x1-CW-ADJ-(color)-(optics)
Wattage:	1w
Kelvin temperature:	2700° K warm white (WW), 4100° K cool white (CW) Contact factory for lumen output data
Standard CRI:	95
Driving voltage:	24vDC constant voltage (dimnable)
Standard finish:	Silver (SV), Black (BK), LED Bezel: Polished Aluminum
Optics available:	10° or 30°
Installation:	Cut out size for leads: 7/8" (22mm) Ø, requires remote power supply

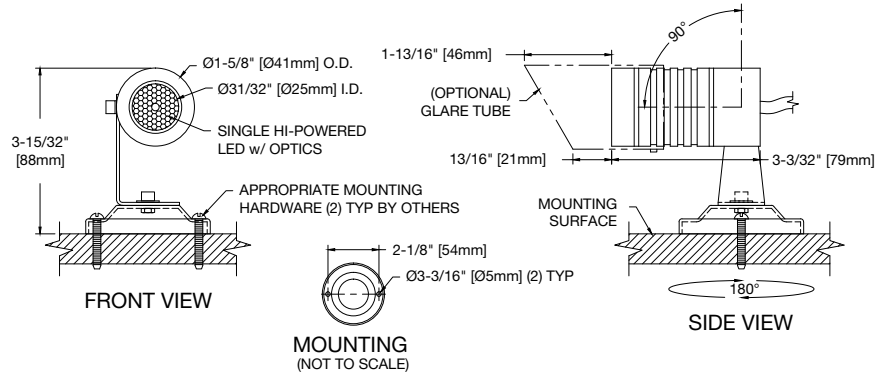
Adjustable Recessed LED Downlight



Model number(s):	MILDAR-1x1-CW-ADJ
Wattage:	1w
Kelvin temperature:	2700° K warm white (WW) or 4100° K cool white (CW) Contact factory for lumen output data
Standard CRI:	95
Driving voltage:	24vDC constant voltage (dimnable)
Standard finish:	Polished Aluminum
Optics available:	10° or 30°
Cut out size:	1.328" (33.7mm) Ø
Installation:	Requires remote power supply, designed for mounting material thickness of 1/2" (13mm), requires access above for mounting

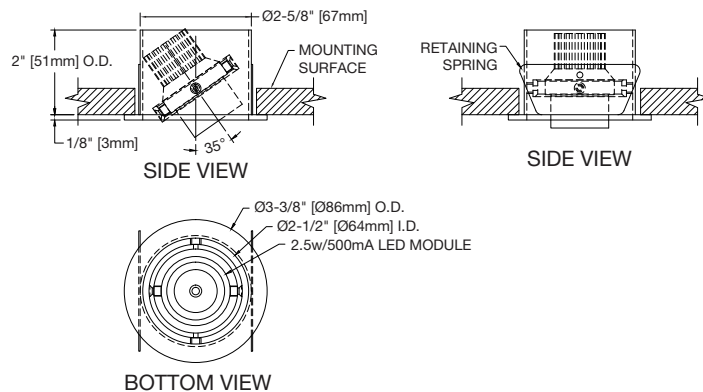
Spots+Strips LED Series Designed for use in cabinetry and millwork

Adjustable Surface Mounted LED Spot Light



Model number(s):	MXLDAS1x1(LED COLOR)-ADJ (1w), MXLDAS1x3(LED COLOR)-ADJ (3w)
Wattage:	1w, 3w
LED colors available	White (W) 4000° K, Warm White (WW) 2700° K, Amber (A), Red (R), Green (G), Blue (B). Contact factory for lumen output data
Driving voltage:	24vDC constant voltage (non-dimming)
Standard finishes:	Silver (SV), Black (BK), White (W)
Installation:	Requires remote power supply, available with optional glare tube (GT), suitable for damp locations

Adjustable LED Downlight – Trimmed



Model number(s):	AD35-LED2.5
Wattage:	2.5w
Kelvin temperature:	2700° K Contact factory for lumen output data
Standard CRI:	95
Driving current:	500mA constant current
Standard finish:	Black
Cut out size:	2-7/8" (73mm) Ø
Installation:	Requires remote power supply, designed for use in mounting materials 2" (50mm) thick or less, mounts from below

Modular International Inc.

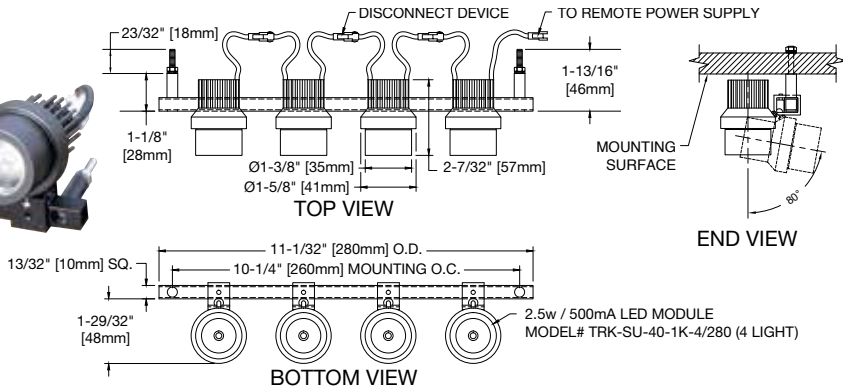
Spots+Strips LED Series Designed for use in cabinetry and millwork



Surface Mounted Light Bar with Adjustable LED Modules



Available in 2, 3 and 4 light modules.



Model number(s):	TRK-SU-40-1K-2/280 (2 light), TRK-SU-40-1K-3/280 (3 light), TRK-SU-40-1K-4/280 (4 light)
Wattage:	2.5w per module
Kelvin temperature:	2700° K Contact factory for lumen output data
Standard CRI:	95
Driving current:	500mA constant current
Standard finish:	Black
Installation:	Designed for mounting material thickness of 1/2" (13mm), access from above required for mounting, requires remote power supply



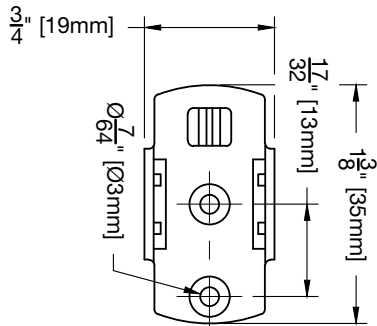
Modular International Inc.

Spots+Strips LED Series Designed for use in cabinetry and millwork

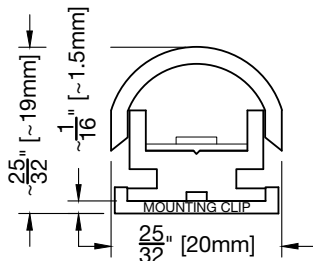
LED Strip Lights - Type LED10M



LED10M-(LENGTH)-SM-(LENS OPTION)



MOUNTING CLIP
(NOT TO SCALE)



END VIEW
(NOT TO SCALE)

LED INFORMATION:

24V / 10w/M WARM WHITE -
2700°K - CONTACT FACTORY
FOR LUMEN OUTPUT DATA
90 CRI STANDARD
95-98 CRI AVAILABLE

LENS OPTIONS:

O - OPAL WHITE
C30 - CLEAR 30°
C60 - CLEAR 60°

	LED10M-215 - 2w 8 ¹⁵ / ₃₂ " [215mm]
	LED10M-265 - 2.5w 10 ⁷ / ₁₆ " [265mm]
	LED10M-315 - 3w 1'-0 ¹³ / ₃₂ " [315mm]
	LED10M-365 - 3.6w 1'-2 ³ / ₈ " [365mm]
	LED10M-415 - 4w 1'-4 ¹¹ / ₃₂ " [415mm]
	LED10M-465 - 4.5w 1'-6 ⁵ / ₁₆ " [465mm]
	LED10M-515 - 5w 1'-8 ⁹ / ₃₂ " [515mm]
	LED10M-565 - 5.5w 1'-10 ¹ / ₄ " [565mm]
	LED10M-615 - 6w 2'-0 ⁷ / ₃₂ " [615mm]
	LED10M-665 - 6.5w 2'-2 ³ / ₁₆ " [665mm]
	LED10M-715 - 7w 2'-4 ⁵ / ₃₂ " [715mm]
	LED10M-765 - 7.5w 2'-6 ¹ / ₈ " [765mm]
	LED10M-815 - 8w 2'-8 ³ / ₃₂ " [815mm]
	LED10M-865 - 8.5w 2'-10 ¹ / ₁₆ " [865mm]
	LED10M-915 - 9w 3'-0 ¹ / ₃₂ " [915mm]
	LED10M-965 - 9.5w 3'-2" [965mm]
	LED10M-1015 - 10.5w 3'-3 ³ / ₃₂ " [1015mm]
	LED10M-1065 - 10.75w 3'-5 ¹⁵ / ₁₆ " [1065mm]
	LED10M-1115 - 11w 3'-7 ²⁹ / ₃₂ " [1115mm]
	LED10M-1165 - 11.5w 3'-9 ⁷ / ₈ " [1165mm]
	LED10M-1215 - 12w 3'-11 ²⁷ / ₃₂ " [1215mm]

NOTE:

1. SURFACE MOUNTED VIA CLIPS WHICH SLIDE THE ENTIRE LENGTH OF THE PROFILE.
2 TO 4 CLIPS PROVIDED PER STRIP, BASED ON LENGTH.
2. STANDARD LED SPACING IS 1" O.C. [25.4mm O.C.].
3. OTHER LENGTHS AND WATTAGES AVAILABLE.
4. STANDARD STRIP LEAD LENGTH: 1'-6-7/8" [480mm]. CUSTOM LENGTH AVAILABLE.
5. FIXTURE REQUIRES THE USE OF REMOTE 24vDC CONSTANT VOLTAGE POWER SUPPLY.

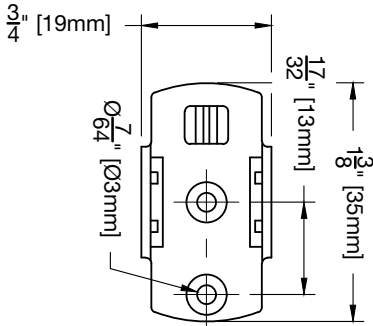
Modular International Inc.

Spots+Strips LED Series Designed for use in cabinetry and millwork

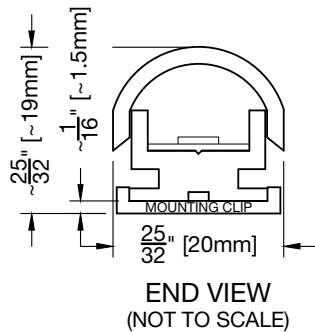
LED Strip Lights - Type LED24M



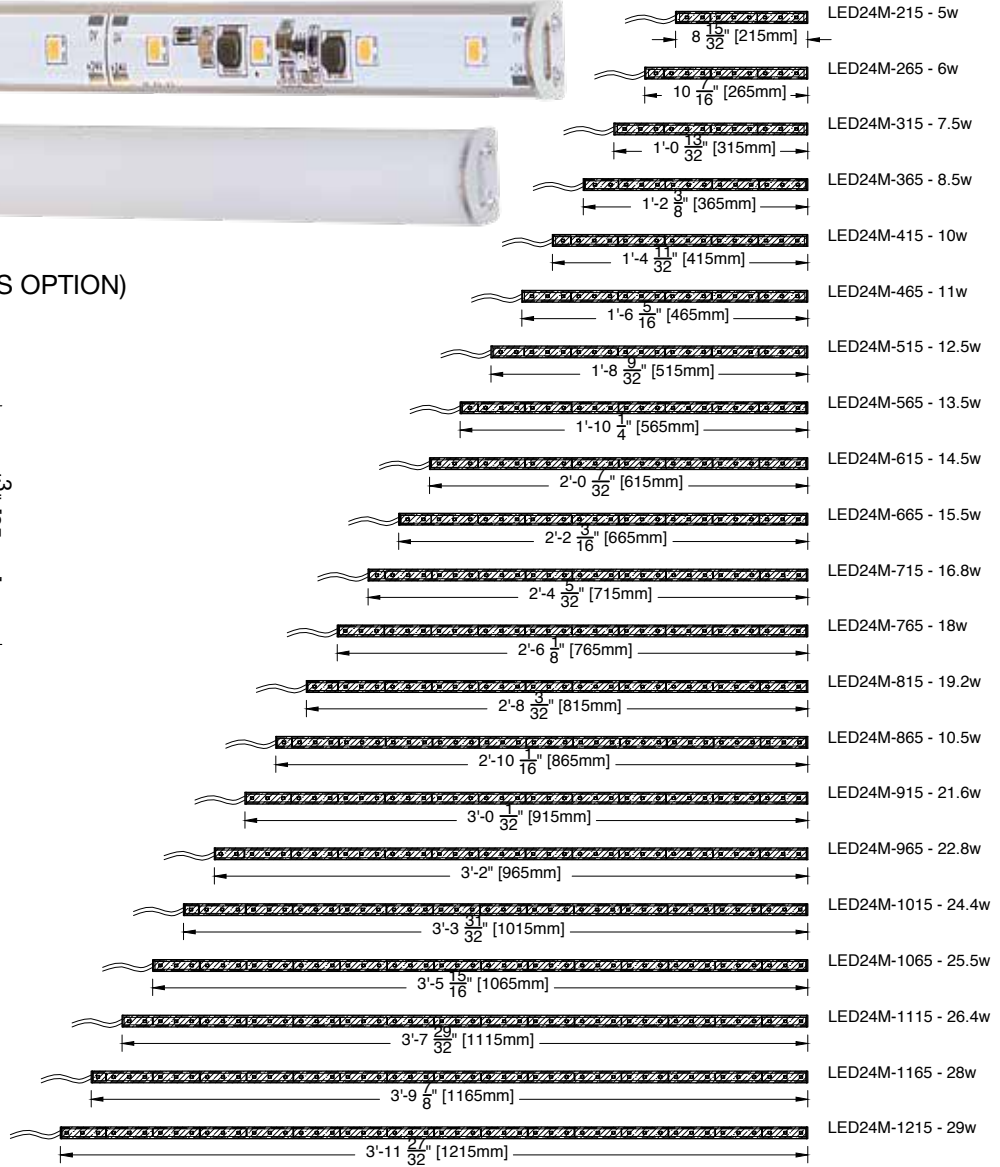
LED24M-(LENGTH)-SM-(LENS OPTION)



MOUNTING CLIP
(NOT TO SCALE)



END VIEW
(NOT TO SCALE)



LED INFORMATION:

24V / 24w/M WARM WHITE -
2700°K - CONTACT FACTORY
FOR LUMEN OUTPUT DATA
90 CRI STANDARD
95-98 CRI AVAILABLE

LENS OPTIONS:

O - OPAL WHITE
C30 - CLEAR 30°
C60 - CLEAR 60°
C90 - CLEAR 90°

NOTE:

1. SURFACE MOUNTED VIA CLIPS WHICH SLIDE THE ENTIRE LENGTH OF THE PROFILE.
2 TO 4 CLIPS PROVIDED PER STRIP, BASED ON LENGTH.
2. STANDARD LED SPACING IS 1" O.C. [25.4mm O.C.].
3. OTHER LENGTHS AND WATTAGES AVAILABLE.
4. STANDARD STRIP LEAD LENGTH: 1'-6-7/8" [480mm]. CUSTOM LENGTH AVAILABLE.
5. FIXTURE REQUIRES THE USE OF REMOTE 24vDC CONSTANT VOLTAGE POWER SUPPLY.

OTHER MODELS INCLUDING SMALLER PROFILES AND FLEXIBLE STRIPS FOR INTERIOR AND IP RATED EXTERIOR PRODUCTS ALSO AVAILABLE – CONSULT FACTORY.

It is time to revisit the Modular Multiples® family of products which was created more than 25 years ago and available today for almost every LED replacement lamp such as MR16 halogen, metal halide Par20, Par30, Par38.

Modular Multiples® is a comprehensive product line, providing the ability to customize to meet nearly any special need and enabling the expression of lighting innovations by the world's leading architects, interior designers, and lighting consultants.



Low Voltage Halogen (TI) (TA) (RT)



Single Aperture - Multiple Lamps



PAR - Primary Voltage (PV)



Stainless Steel



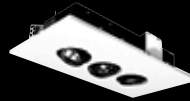
HID - (Metal Halide) (PV)



Companion Series - Surface Mounted



Mixed Lamp Sources



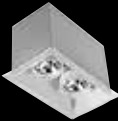
Apertures® (patented)



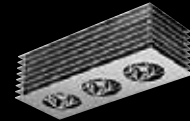
Linears™ (patented)



Uplights



Trimless (TI) (TA) (RT)



Custom - Special



Baffles



Accessories

Modular International Inc.
3941 California Avenue
Pittsburgh, PA 15212
1-412-734-9000
www.modularinternational.com