

Modular International, Inc.

The Plug-In
Architectural
Indoor
Lighting
System





Modular International, Inc.

The Plug-In Architectural Indoor Lighting System



The Modular Plug-In System is a mix-and-match family of components which can be combined in nearly any configuration, providing the palette for lighting designers and architects to create distinctive and often unconventional programs for commercial and residential lighting applications.

Rigorous manufacturing standards ensure exceptionally reliable, high performance installations.

1

Modupoint

Mechanically secures and energizes all Plug-In components



Modupoints are the foundation of the plug-in system, mechanically securing and energizing Plug-In Sticks and Lampholders. Available in recessed and surface mounted configurations, Modupoints may be mounted in ceilings, walls, floors, frames, millwork, and plates.

2

Stick

The connection between Modupoints and Lamp Holders



Sticks plug-in to Modupoints. Available in a range of lengths, profiles, cross-sections, articulation options and finishes; plug-in Sticks provide outstanding functional and aesthetic customization possibilities.

3

Lamp Holder

The connection between the plug-in system and lamps



Lamp Holders plug-in to Sticks. Available in two styles and three finishes, Lamp Holders complete each Plug-In fixture, creating unique architectural lighting solutions.

Modular International, Inc.

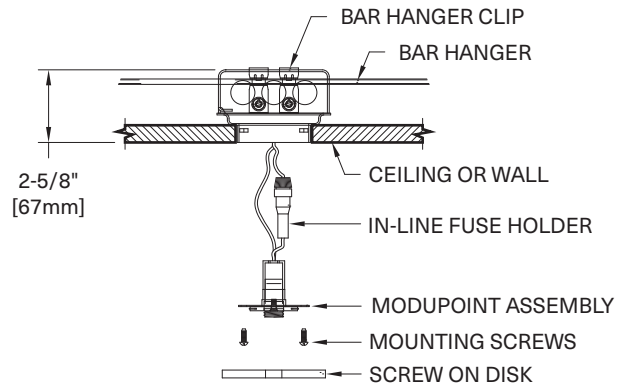
The Plug-In Architectural Indoor Lighting System

1

Modupoint

Mechanically secures and energizes all Plug-In components

Modupoint with screw on disk – Remote Transformer Configuration



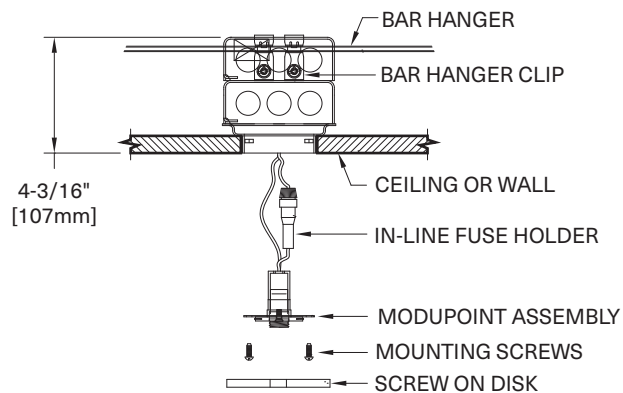
- Housing:**
- Recessed with 3-3/8" [85mm] diameter x 1/4" [5.5mm] thick threaded surface flange
 - Allows easy access to wiring connections and inline fuse holder
 - For use in areas where access to wiring connections is required by local building codes
 - Requires 2-5/8" [67mm] recessed housing depth

Finishes: aluminium (MPR-3125), white (MPR-3121), black (MPR-3122)

Electrical: 12VAC remote transformer required

- Mounting:**
- Single depth junction box installed prior to ceiling or wall material.
 - Modupoint assembly attached to J-box with two screws (hidden by screw on disk)

Modupoint with screw on disk – Transformer Incorporated Configuration



- Housing:**
- Recessed with 3-3/8" [85mm] diameter x 1/4" [5.5mm] thick threaded surface flange
 - Allows easy access to wiring connections and inline fuse holder
 - For use in areas where access to wiring connections is required by local building codes
 - Requires 4-3/16" [107mm] recessed housing depth

Finishes: aluminium (MPRX-3125), white (MPRX-3121), black (MPRX-3122)

Electrical: 12VAC transformer incorporated

- Mounting:**
- Double depth junction box installed prior to ceiling or wall material.
 - Modupoint assembly attached to J-box with two screws (hidden by screw on disk)

Modular International, Inc.

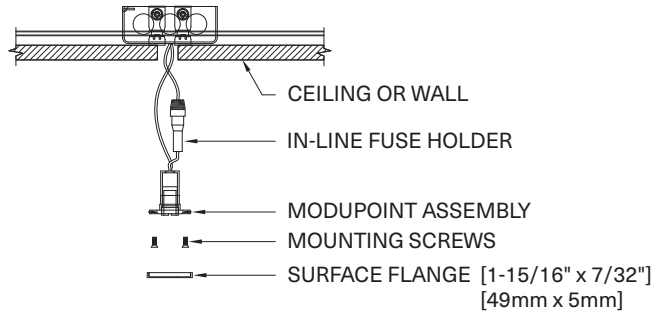
The Plug-In Architectural Indoor Lighting System

1

Modupoint

Mechanically secures and energizes all Plug-In components

EQ Modupoint



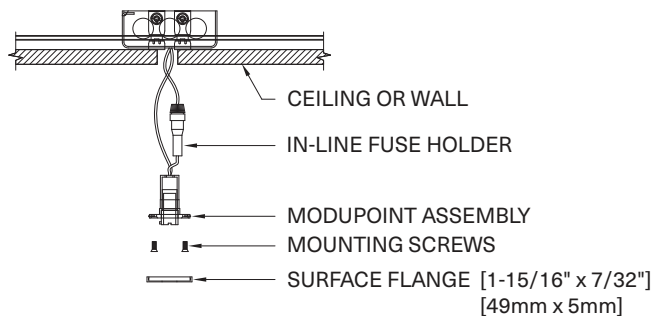
Housing: Recessed with 1-15/16" [49mm] surface flange

Finishes: aluminum (208675), white (208671), black (208672)

Electrical: 12VAC remote transformer required

- Mounting:
- OB-TB1 (Typical for use with T-Bar ceilings)
 - OB-GBS-1 (Typical for use with gyp board ceilings or walls)
 - Mountable on ceilings, floors, walls, frames, millwork, and plates

EQ+M3 Modupoint



Housing: Recessed with 1-15/16" [49mm] surface flange

Finishes: aluminum (208715), white (208711), black (208712)

Electrical: 12VAC remote transformer required

- Mounting:
- M3 retaining cap with locking screw added to EQ Modupoint for securing Plug-In Stick position
 - OB-TB1 (Typical for use with T-Bar ceilings)
 - OB-GBS-1 (Typical for use with gyp board ceilings or walls)
 - Mountable on ceilings, floors, walls, frames, millwork, and plates

Modular International, Inc.

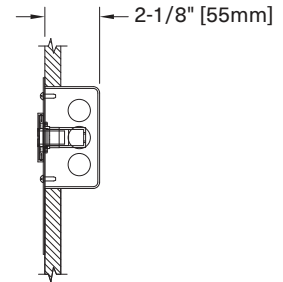
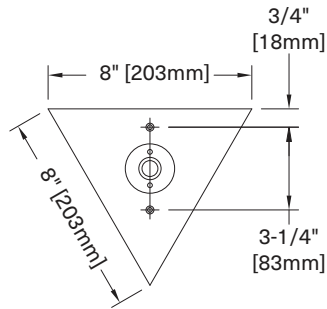
The Plug-In Architectural Indoor Lighting System

1

Modupoint

Mechanically secures and energizes all Plug-In components

EQ Modupoint with Triangular Plate for single switch junction box



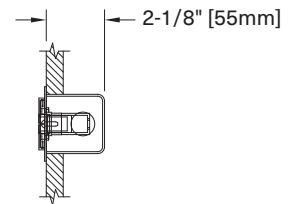
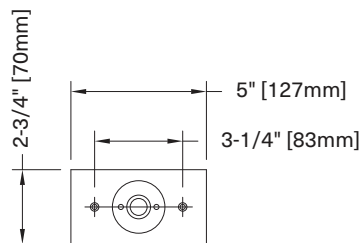
Housing: Recessed EQ Modupoint with 1-15/16" [49mm] surface flange is factory installed on plate

Finishes: • Single depth junction box (RT): aluminum (MPR-CB85), white (MPR-CB81), black (MPR-CB82)
• Double depth junction box (TI): aluminum (MPRX-CB85), white (MPRX-CB81), black (MPRX-CB82)

Electrical: 12VAC transformer required

Mounting: • Single depth (remote transformer) or double depth (transformer incorporated) junction box required (by others) installed prior to ceiling or wall material.
• Plate is secured to existing junction box with appropriate hardware

EQ Modupoint with Rectangular Plate for single switch junction box



Housing: Recessed EQ Modupoint with 1-15/16" [49mm] surface flange is factory installed on plate

Finishes: • Single depth junction box (RT): aluminum (MPR-5235), white (MPR-5231), black (MPR-5232)
• Double depth junction box (TI): aluminum (MPRX-5235), white (MPRX-5231), black (MPRX-5232)

Electrical: 12VAC transformer required

Mounting: • Single depth (remote transformer) or double depth (transformer incorporated) junction box required (by others) installed prior to ceiling or wall material.
• Plate is secured to existing junction box with appropriate hardware

Modular International, Inc.

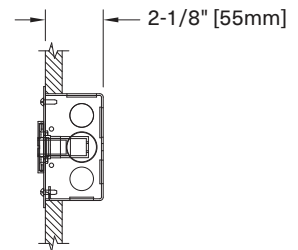
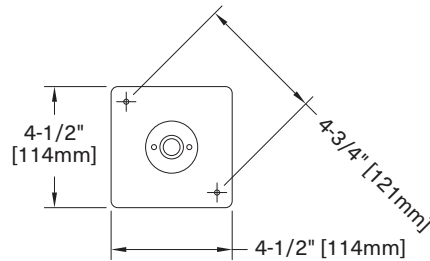
The Plug-In Architectural Indoor Lighting System

1

Modupoint

Mechanically secures and energizes all Plug-In components

EQ Modupoint with Square Plate for 4" [102mm] junction box



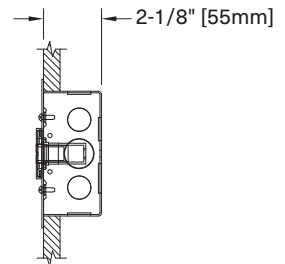
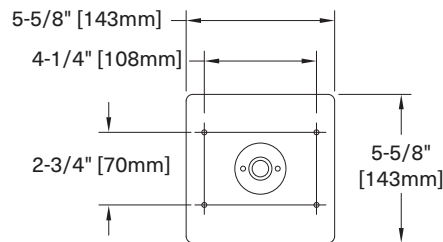
Housing: Recessed EQ Modupoint with 1-15/16" [49mm] surface flange is factory installed on plate

Finishes: • Single depth junction box (RT): aluminum (MPR-4535), white (MPR-4531), black (MPR-4532)
• Double depth junction box (TI): aluminum (MPRX-4535), white (MPRX-4531), black (MPRX-4532)

Electrical: 12VAC transformer required

Mounting: • Single depth (remote transformer) or double depth (transformer incorporated) junction box required (by others) installed prior to ceiling or wall material.
• Plate is secured to existing junction box with appropriate hardware

EQ Modupoint with Square Plate for 4-11/16" [119mm] junction box



Housing: Recessed EQ Modupoint with 1-15/16" [49mm] surface flange is factory installed on plate

Finishes: • Single depth junction box (RT): aluminum (MPR-5585), white (MPR-5581), black (MPR-5582)
• Double depth junction box (TI): aluminum (MPRX-5585), white (MPRX-5581), black (MPRX-5582)

Electrical: 12VAC transformer required

Mounting: • Single depth (remote transformer) or double depth (transformer incorporated) junction box required (by others) installed prior to ceiling or wall material.
• Plate is secured to existing junction box with appropriate hardware

Modular International, Inc.

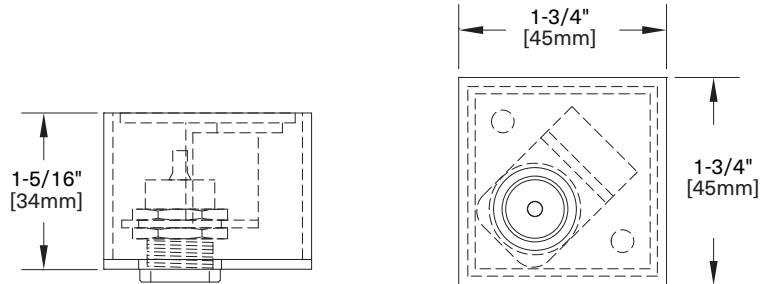
The Plug-In Architectural Indoor Lighting System

1

Modupoint

Mechanically secures and energizes all Plug-In components

Surface I Cube Modupoint



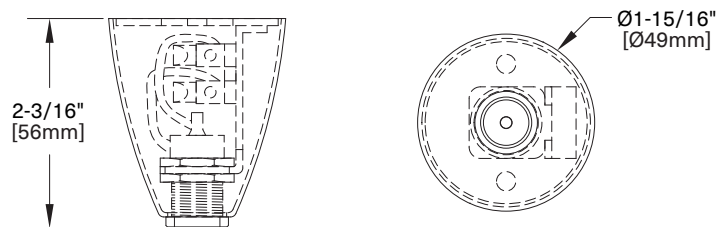
Housing: Fabricated aluminum

Finishes: aluminum (208855), white (208851), black (208852)

Electrical: 12VAC remote transformer required

- Mounting:
- Surface mounted. Used when recessing is impossible or undesirable
 - No rough-in or junction box required. For typical Modupoint Surface installations, wire is pulled to mounting location and connected to Modupoint.
 - Shown with M3 retaining cap with locking screw for securing Plug-In Stick position
 - Mountable on ceilings, floors, walls, frames, millwork, and plates

Surface II Cone Modupoint



Housing: Formed aluminum

Finishes: aluminum (208865), white (208861), black (208862)

Electrical: 12VAC remote transformer required

- Mounting:
- Surface mounted. Used when recessing is impossible or undesirable
 - No rough-in or junction box required. For typical Modupoint Surface installations, wire is pulled to mounting location and connected to Modupoint.
 - Shown with M3 retaining cap with locking screw for securing Plug-In Stick position
 - Mountable on ceilings, floors, walls, frames, millwork, and plates

Modular International, Inc.

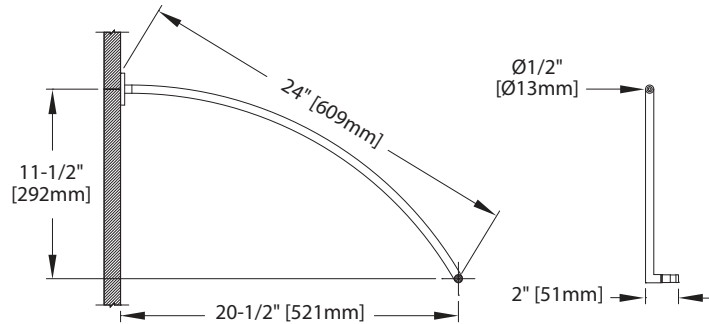
The Plug-In Architectural Indoor Lighting System

2

Stick

The connection between Modupoints and Lamp Holders

C-Stick

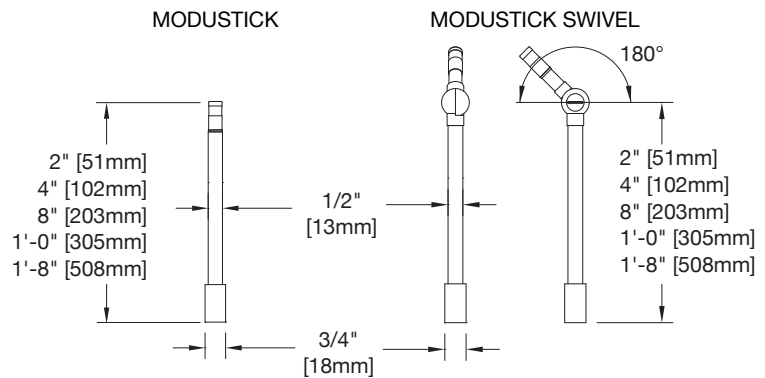


Housing: Formed brass

Finishes: aluminum (259155), white (259151), black (259152)

- Mounting:
- Modupoint required
 - Typically used for vertical wall applications
 - For use with Flipp-50 lamp holder

Modustick / Modustick Swivel



Housing: Formed Brass

Finishes: Modustick:

- 4" [102mm]: aluminum (250155), white (250151), black (250152)
- 12" [305mm]: aluminum (250555), white (250551), black (250552)
- 20" [500mm]: aluminum (251155), white (251151), black (251152)

Modustick Swivel:

- 4" [102mm]: aluminum (252155), white (252151), black (252152)
- 12" [305mm]: aluminum (252555), white (252551), black (252552)
- 20" [500mm]: aluminum (253155), white (253151), black (253152)

- Mounting:
- Modupoint required
 - Typically used to position fixture closer to objects being illuminated
 - For use with 50cc lamp holder

Modular International, Inc.

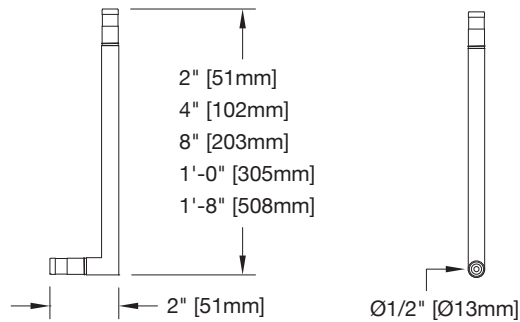
The Plug-In Architectural Indoor Lighting System

2

Stick

The connection between Modupoints and Lamp Holders

Definitive Stick

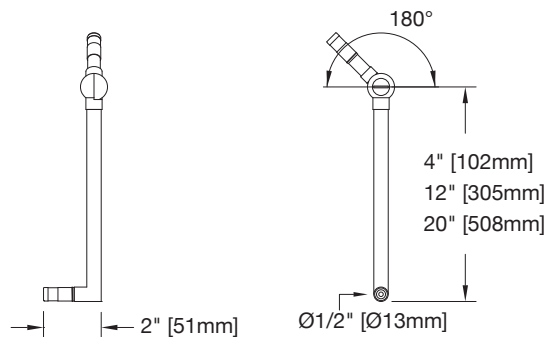


Housing: Formed brass

- Finishes:
- 2" [51mm]: aluminum (254155), white (254151), black (254152)
 - 4" [102mm]: aluminum (255155), white (255151), black (255152)
 - 8" [203mm]: aluminum (255255), white (255251), black (255252)
 - 12" [305mm]: aluminum (255555), white (255551), black (255552)
 - 20" [500mm]: aluminum (256155), white (256151), black (256152)

- Mounting:
- Modupoint required
 - EQ Jack on longer leg plugs into Modupoint. 2-3 revolutions with slight pressure secures the stick while allowing 360° rotation
 - Jack on shorter leg plugs into Flipp-50 lamp holder

Definitive Swivel Stick



Housing: Formed brass

- Finishes:
- 4" [102mm]: aluminum (257155), white (257151), black (257152)
 - 12" [305mm]: aluminum (257555), white (257551), black (257552)
 - 20" [508mm]: aluminum (258155), white (258151), black (258152)

- Mounting:
- Modupoint required
 - EQ Jack on longer leg plugs into Modupoint with ability to angle the stick at the plane of the ceiling. Perfect for vaulted ceiling applications. 2-3 revolutions with slight pressure secures the stick while allowing 360° rotation
 - Jack on shorter leg plugs into Flipp-50 lamp holder

Modular International, Inc.

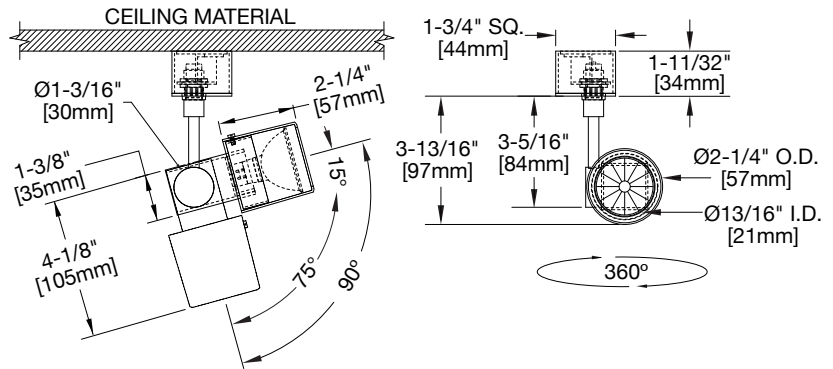
The Plug-In Architectural Indoor Lighting System

3

Lamp Holder

The connection between the plug-in system and lamps

50cc Lamp Holder



Housing: Fabricated aluminum and steel

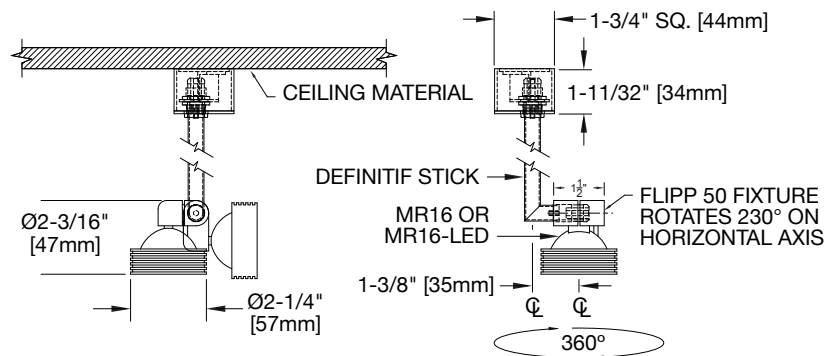
Finishes: • aluminium (210155), white (210151), black (210152)
• Custom colors available – consult factory

Lamping: • MR16 Dim to Warm (-BLDDW)
• MR16 LED (-BLD), MR16 Halogen (-B)

Mounting: • Modupoint required
• Integral stem
• Compatible with Modustick or Modustick Swivel

Options: Accepts one filter media up to $1/8"$ [3mm] thick

Flipp 50 Lamp Holder



Housing: Fabricated aluminum and steel

Finishes: aluminium (211355), white (211351), black (211352)

Lamping: • MR16 Dim to Warm (-BLDDW)
• MR16 LED (-BLD), MR16 Halogen (-B)

Mounting: • Modupoint and Stick required
• Compatible with Definitive stick, Definitive Swivel Stick, or C-Stick

The Plug-In Architectural
Indoor Lighting System



Modular International Inc.
3941 California Avenue
Pittsburgh, PA 15212
1-412-734-9000
www.ModularInternational.com