

**Modular International, Inc.**

**Outdoor  
Lighting  
Solutions**



# Modular International, Inc.

Modular International excels in the development of customizable outdoor lighting solutions for commercial and residential installations. Designs such as Concentrix, Tri-Fin, IRS® and others are available in base configurations, with options available to meet project specific lighting requirements.

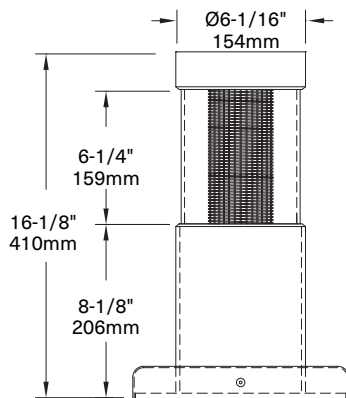
Project specific designs are engineered and manufactured to exceed architect's, lighting designer's and customer's lighting specifications and expectations. From the development of new and unique lighting concepts, to modern reproductions of historical fixtures, Modular International is uniquely capable of meeting any lighting challenge.



## Modular International HQ - Pittsburgh, PA



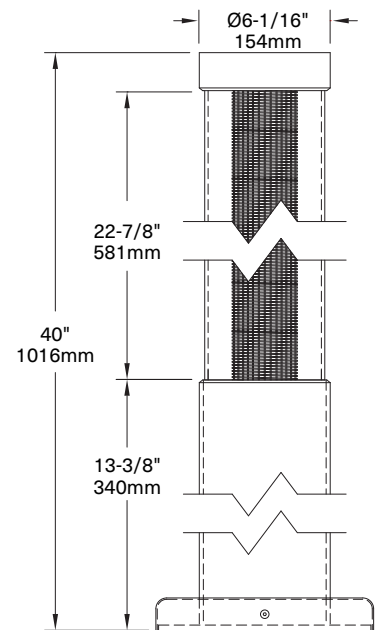
### Concentrix Short Bollard



#### MXT-B3285-LED-SS-(LED color)

316 marine grade, satin finished stainless steel tubing with a clear polycarbonate lens. Wired for two circuits with electronic power supplies incorporated. LEDs available in red, green, blue, amber, white and color changing arrays. Lamping: MR16 LED one 10 watt main light with ten 1 watt accent lights. Suitable for wet locations, IP66 rated. US Patent number 7,478,921 B1. **Customization options available. Consult factory for details.**

### Concentrix Tall Bollard



#### MXT-B328T-LED-SS-(LED color)

316 marine grade, satin finished stainless steel tubing with a clear polycarbonate lens. Wired for two circuits with electronic power supplies incorporated. LEDs available in red, green, blue, amber, white and color changing arrays. Lamping: MR16LED one 10 watt main light with ten 1 watt accent lights. Suitable for wet locations, IP66 rated. US Patent number 7,478,921 B1. **Customization options available. Consult factory for details.**

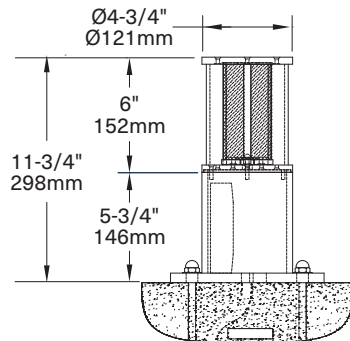
# Modular International, Inc.

## Virginia Beach Convention Center - Virginia Beach, VA



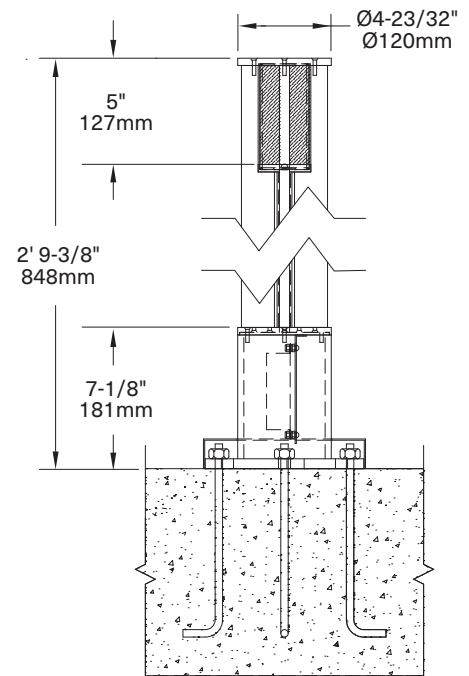
**Tri-Fin Short Bollard**

**Tri-Fin Tall Bollard**



**MXT-B244-LED-SS**

316 marine grade stainless steel construction (powder coated aluminum also available - consult factory for available finishes). Frosted polycarbonate diffuser. Integrated LED driver. Available LED colors: cool white, warm white. Lamping 3 watt LED with 270 lumens. Fixture is IP67 rated. **Customization options available. Consult factory for details.**



**MXT-B327-LED-SS**

316 marine grade stainless steel construction (powder coated aluminum also available - consult factory for available finishes). Frosted polycarbonate diffuser. Integrated LED driver. Available LED colors: cool white, warm white. Lamping 3 watt LED with 270 lumens. Fixture is IP67 rated. **Customization options available. Consult factory for details.**

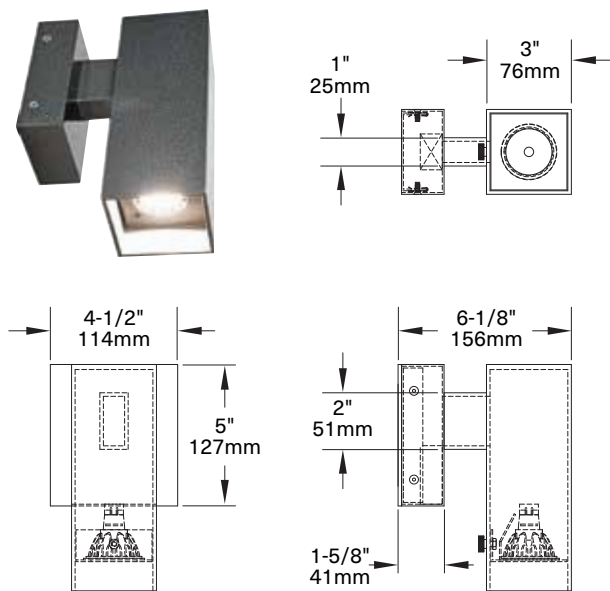


# Modular International, Inc.

## The Cabins at Shooting Star - Jackson Hole, WY



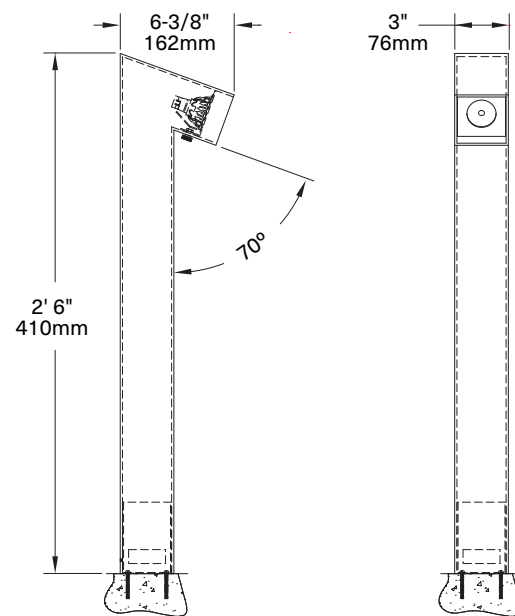
### Aluminum Tube Sconce



#### MXT-S29Z-MR16LED-AL

3" square aluminum tubing with .125" wall thickness, powder coated finish and stainless steel hardware. 10 watt maximum MR16 LED lamp with integral driver. Fixture is IP61 rated. **Customization options available. Consult factory for details.**

### Aluminum Tube Bollard



#### MXT-S29Z-MR16LED-AL

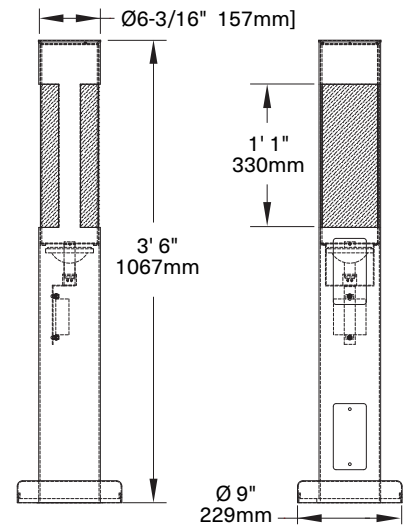
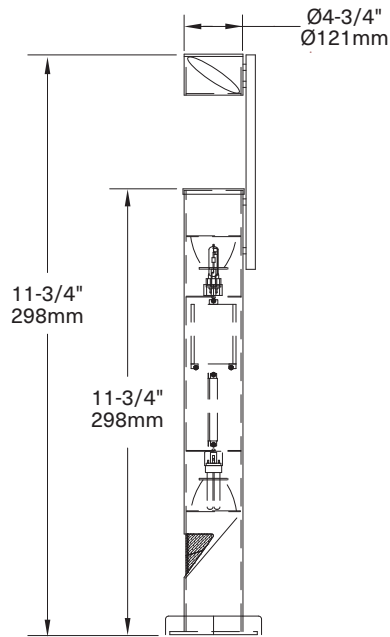
3" square aluminum tubing with .125" wall thickness, powder coated finish and stainless steel hardware. 10 watt maximum MR16 LED lamp with integral driver. Fixture is IP61 rated. **Customization options available. Consult factory for details.**

**Kent County Superior Court House - Warwick , RI**



**IRS® 1040 Bollard**

**Stainless Steel Bollard**



**MXT-B054-V39/CFL13-SS**

316 marine grade, 14-gauge stainless steel construction with #4 brushed finish. Top and bottom reflectors with impact resistant polycarbonate lenses. 35 watt CDM-T lamp for upper light source with 39 watt electronic ballast. 13 watt compact fluorescent lamp for lower light source with 13 watt electronic ballast. Stainless steel hardware. All lenses gasketed. Upper reflector is able to be rotated to reposition light beam direction in an arc around the fixture. Available with LED light sources. Consult factory for details. Fixture is IP66 rated. US Patent numbers: 7,207,698 B2 – 8,231,242 B2 – 8,740,407 B2. **Customization options available. Consult factory for details.**

**MXT-B305-S39-SS**

316 marine grade, 14-gauge stainless steel construction with 39 watt CDM-R111 lamp and white opal polycarbonate diffuser. Integral ballast. Available with LED light sources. Fixture is IP66 rated. **Customization options available. Consult factory for details.**

# Modular International, Inc.

## NFL Headquarters Rooftop Terrace - New York, NY



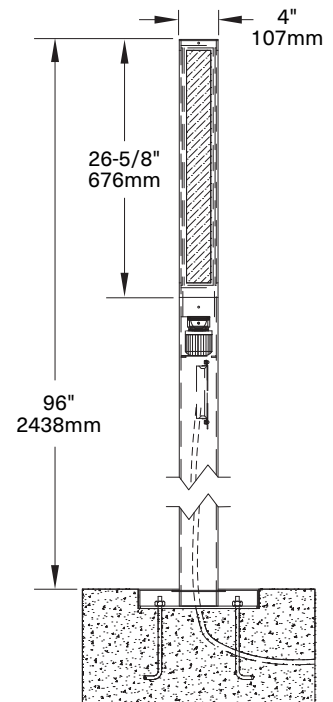
Fixtures were also featured at Penn State University's Chemical Engineering Building – State College, PA

### Stainless Steel Post Light



#### MXT-B304-LED30-UNV-TI

316 marine grade stainless steel square tube with #4 brushed finish. Opal white polycarbonate lens. 30 watt, 1200 lumen, 3000°K LED module. Integral electronic power supply. Removable base cover plate conceals mounting flange. Fixture is IP66 rated. **Customization options available. Consult factory for details.**





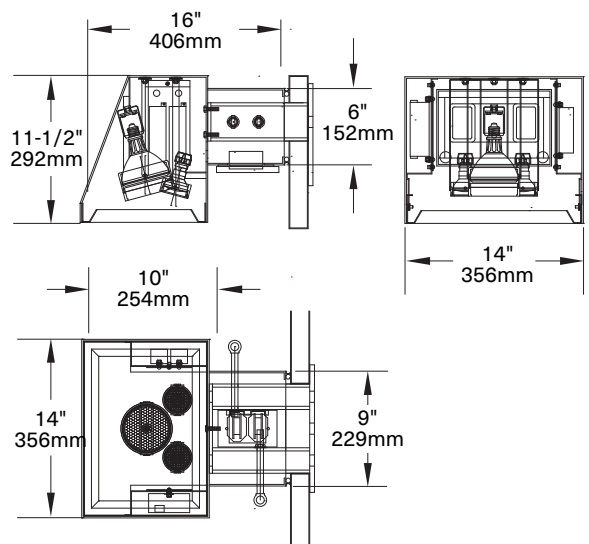
# Tyson's Corner CityCenter - Washington, DC



## Custom Steel Three Circuit + GFI Outlet Scence



**MXT-30138-H/BH-TI-REC**  
 Steel housing with powder coated finish. Fixture wired for three circuits with integral ballasts. Circuit one (277 volts): entertainment lighting with one 70 watt PAR30 HID lamp. Circuit two (277 volts): skirt lighting with two 20 watt MR16-CMH lamps. Circuit three (120 volts): exterior rated GFI receptacle. Fixture is IP61 rated.



# Modular International, Inc.

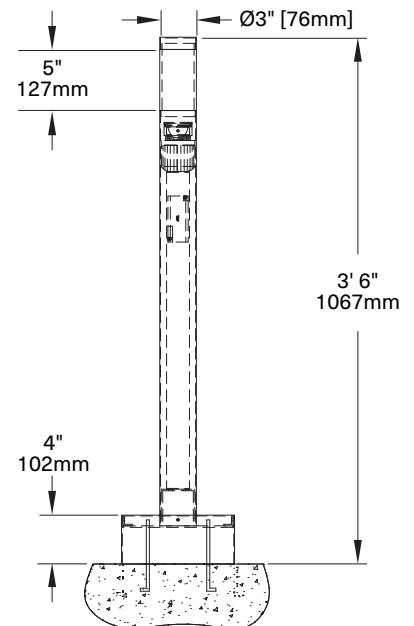
## Private Residence - Fox Chapel, PA



### Extruded Aluminum Bollard



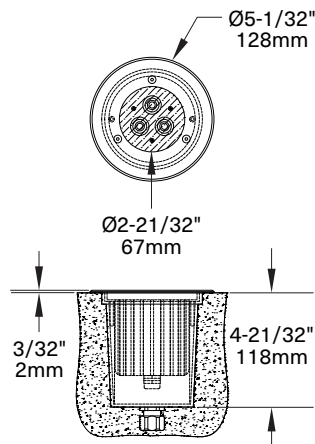
**MXT-B319-16LED-AL**  
Extruded aluminum body with one 16 watt LED module and UV stabilized polycarbonate lens. Integral power supply. Fixture is IP66 rated. **Customization options available. Consult factory for details.**



## Private Residence - Fox Chapel, PA



### Recessed Stainless Uplight



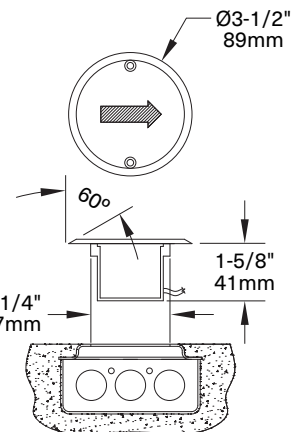
#### MXT-U095-3x1LED-TI-RD-(x color of LED)

316 marine grade stainless steel trim plate. Three 1 watt LED modules with integral 120 volt electronic driver mounted in pour box with waterproof gland for incoming power leads. Pour box in example embedded in concrete. Available LED colors: white, warm white, amber, red, green and blue. Fixture is IP68 rated. **Other fixture sizes and customization options available. Consult factory for details.**

### Directional Arrow Uplight



*W Hotel Treetop Terrace, Aspen, CO*



#### MXT790-5wLEDxRT-RD-DIRNL

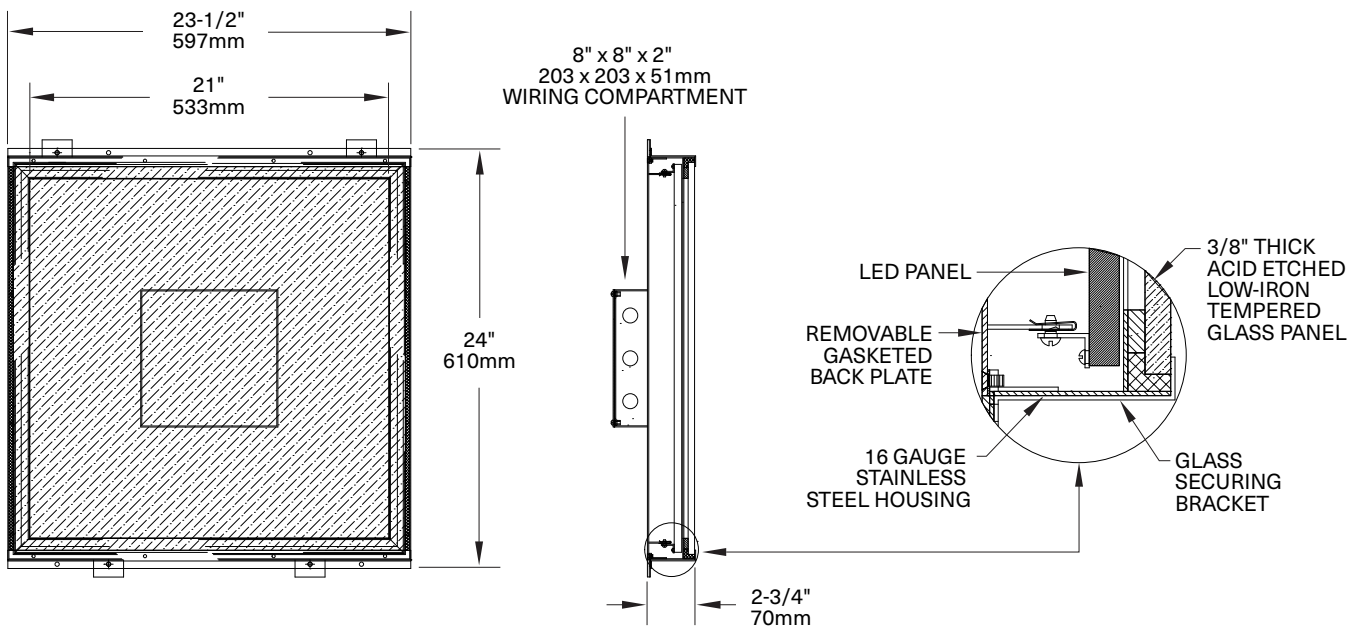
316 marine grade stainless steel trim plate with arrow shaped aperture, flush frosted glass diffuser and 5 watt red LEDs. Fixture designed to fit existing junction boxes on site using 24 volt DC remote power supplies. Available LED colors: warm white, cool white, amber, red, green and blue. Fixture is IP68 rated. **Other fixture sizes and customization options available. Consult factory for details.**

# Modular International, Inc.

## Bloomingtondale's - Glendale, CA



### 2' x 2' Rainscreen Façade LED Insulated Glass Units



#### MLD575x575-CUSTOM-65K-12w-2S

2' x 2' etched low-iron tempered insulated glass units with incorporated LED panels. 316 marine grade, 16 gauge stainless steel housing with 12 watt / 24 volt DC 6500°K LED panel. Integral 277 volt electronic power supply.



bloomingdale's

103

PIRCH

KITCHEN

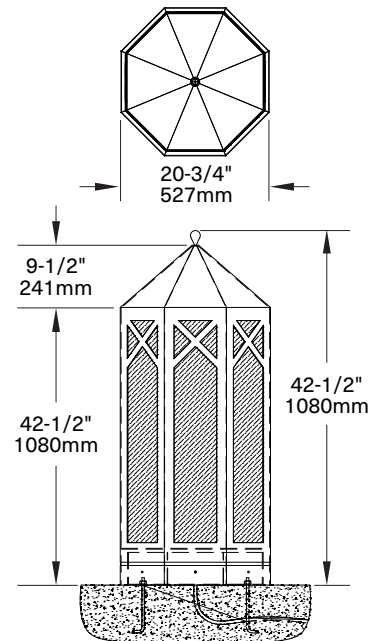
Modular International, Inc.  
1-412-734-9000  
www.ModularInternational.com

# Modular International, Inc.

## “Sister Bridges” Pylon Fixture - Pittsburgh, PA



### Recreation of 1926 Bridge Pylon Fixture



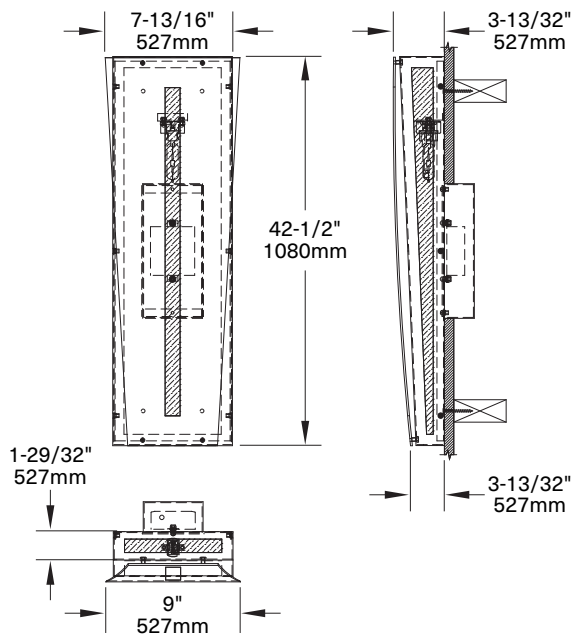
#### (D1-A)

316 marine grade stainless steel with matte black finish. Integrated 120- 277 volt electronic power supplies supporting eight 75 watt, 6100 lumen LED modules. Horizontally ribbed, clear tempered glass panels with opal white polycarbonate lens assemblies.

## Point Park University - Pittsburgh, PA



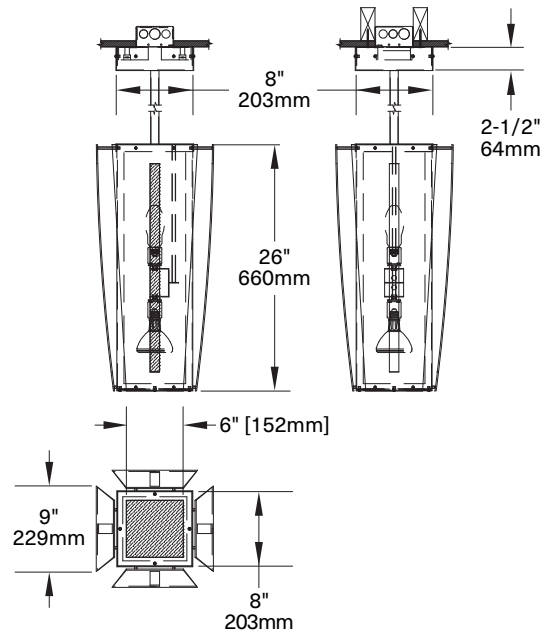
### Sconce



316 marine grade, 14-gauge stainless steel panel with #4 brushed finish. 39 watt CDM-T lamp with opal acrylic lens for ambient lighting and integral electronic ballast.



### Pendant



316 marine grade, 14-gauge stainless steel housing with #4 brushed finish. Slots in top plate for uplighting. One 35 watt ED17 lamp with opal acrylic lens for ambient lighting and one PAR30 LED lamp for downlighting.

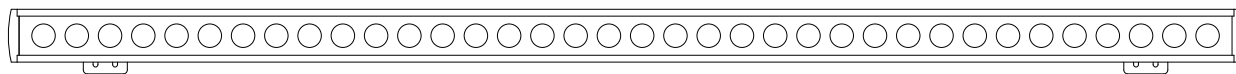
# Modular International, Inc.

## Disability Services Training Center - Washington, PA

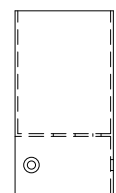
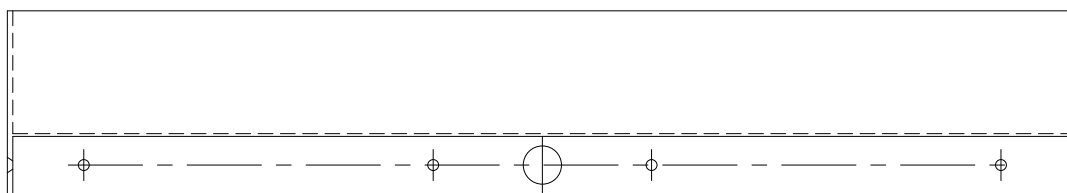
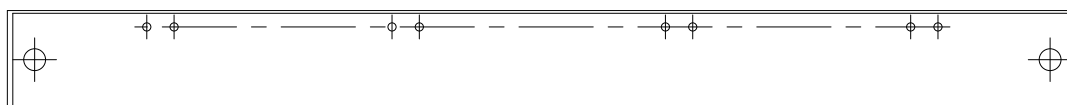


### Linear Wall Wash Uplights

LINEAR LED FIXTURE (MXLD-N-S-18-W)



LINEAR LED FIXTURE HOUSING (MXLD-N-S-18-W-24)



316 marine grade stainless steel housing, extruded aluminum linear LED fixture with tempered glass lens and powder coated finish. Lamping: 12 watts per foot at 3000°K with remote power supplies. **Customization options available. Consult factory for details.**

Linear LED fixtures available in the following lengths:

1'1" (335mm) 13w	3'0-3/4" (935mm) 38w
1'7" (485mm) 20w	3'4-3/4" (1035mm) 42w
2'1" (635mm) 26w	3'6-3/4" (1085mm) 47w
2'7" (785mm) 31w	4'0-5/8" (1235mm) 53w

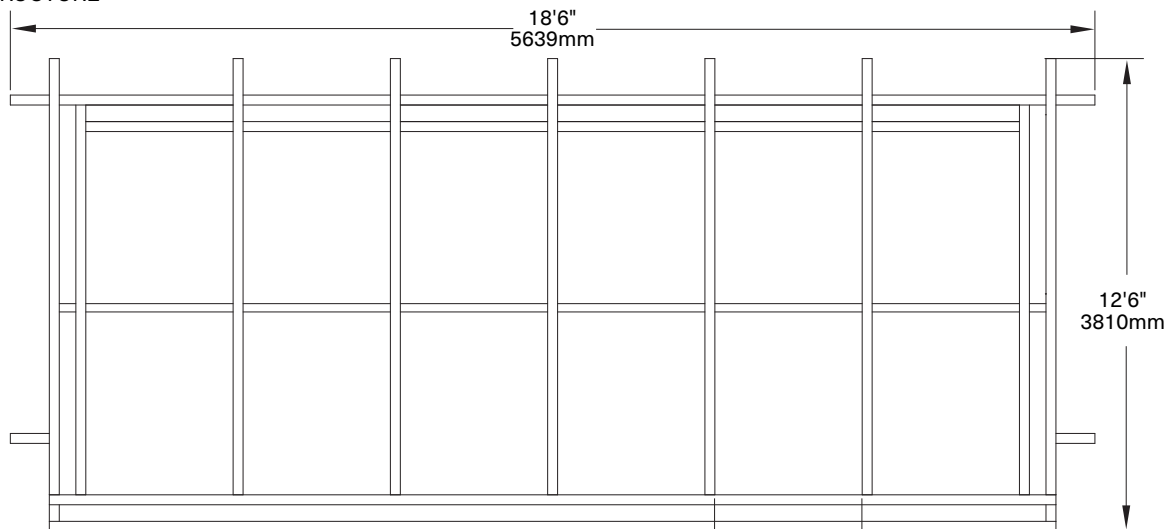




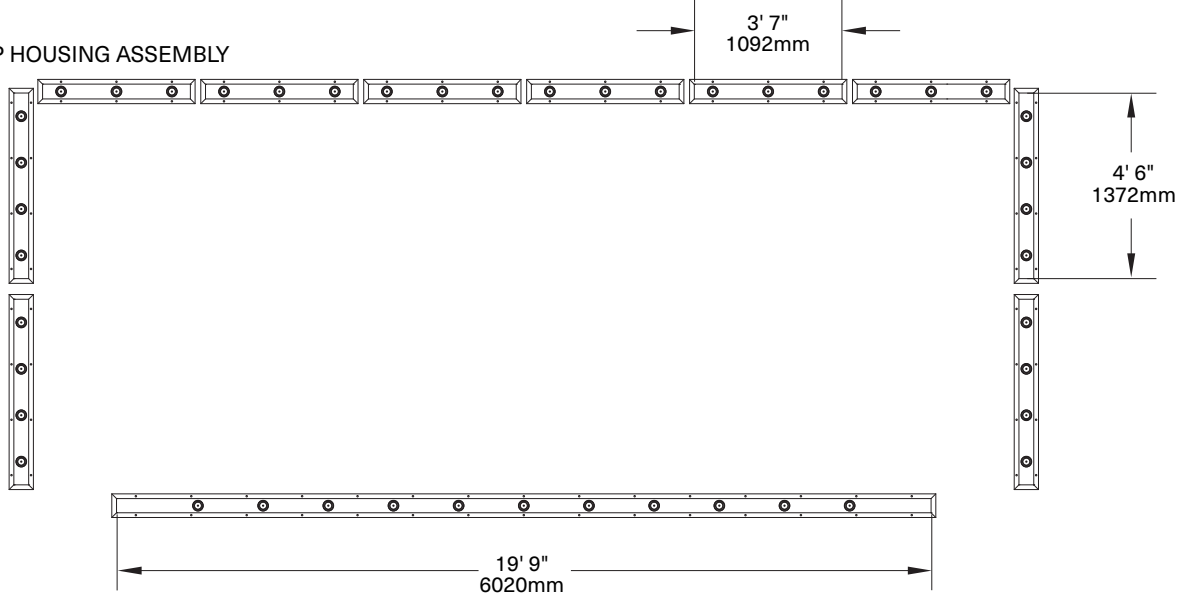
# Modular International, Inc.

## Renaissance Hotel Marquee - Pittsburgh, PA

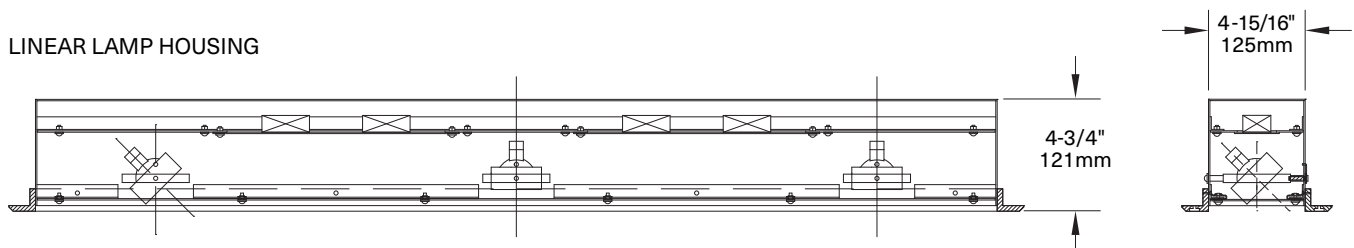
### CANOPY STRUCTURE



### LINEAR LAMP HOUSING ASSEMBLY



### LINEAR LAMP HOUSING



Custom fabricated aluminum linear channel incorporated with MR16 adjustable lamps with integrated electronic transformers. Fixtures designed to fit within the confines of the renovated hotel entrance canopy structure with matching powder coated finish.



RENAISSANCE



RENAISSANCE

RENAISSANCE

RENAISSANCE



**Outdoor  
Lighting  
Solutions**



**Frick Art & Historical Center - Pittsburgh, PA**  
Custom brass exterior wall mounted fixture.  
Consult factory for details.

**Modular International Inc.**

3941 California Avenue

Pittsburgh, PA 15212

1-412-734-9000

[www.ModularInternational.com](http://www.ModularInternational.com)